

DUMP HOPPER

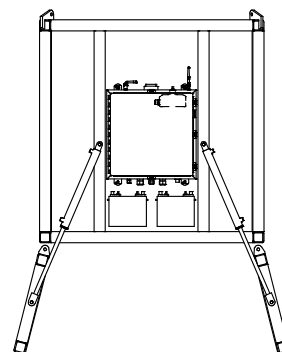
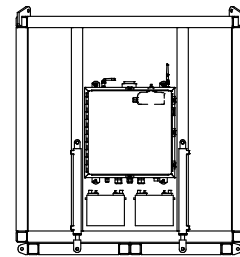
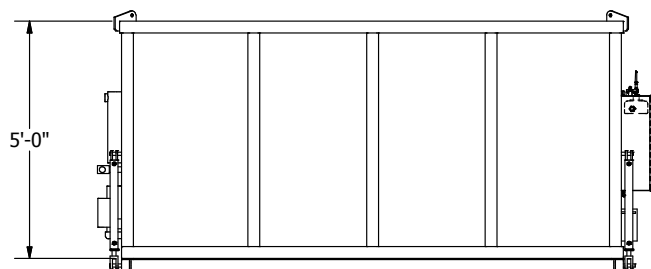
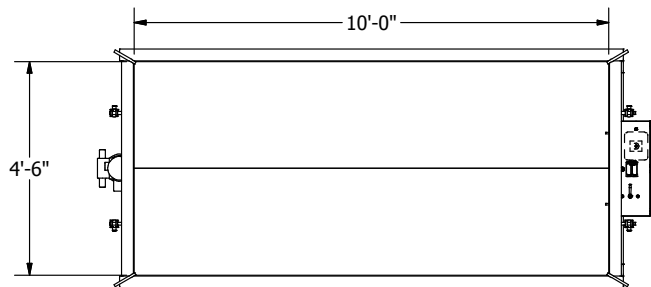
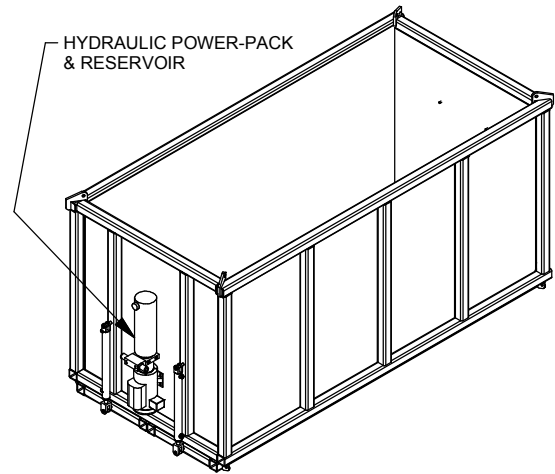
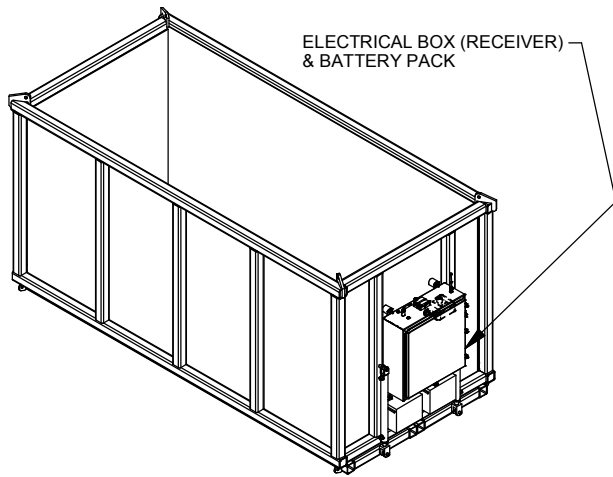


Designed to safely handle and unload a variety of bulk materials. It features a battery powered powerpack to activate the doors for easy unloading. A wireless remote control is used to control the doors on the Dump Hopper. The four lifting lugs are used to attach the Dump Hopper to a crane or other overhead lifting device.

- 20,000 lbs capacity,
- 8 cubic yard capacity
- Custom sizes available.
- Wireless control, battery powered.

>> [greenfieldpi.com/products/dump-hopper](https://www.greenfieldpi.com/products/dump-hopper)

SPECIFICATIONS



NOTES:

- HOPPER EMPTY WEIGHT = 4,000 LBS
- HOPPER CAPACITY (VOLUME) = 8 CU. YARD
- HOPPER CAPACITY (PAYLOAD) = 20,000 LBS