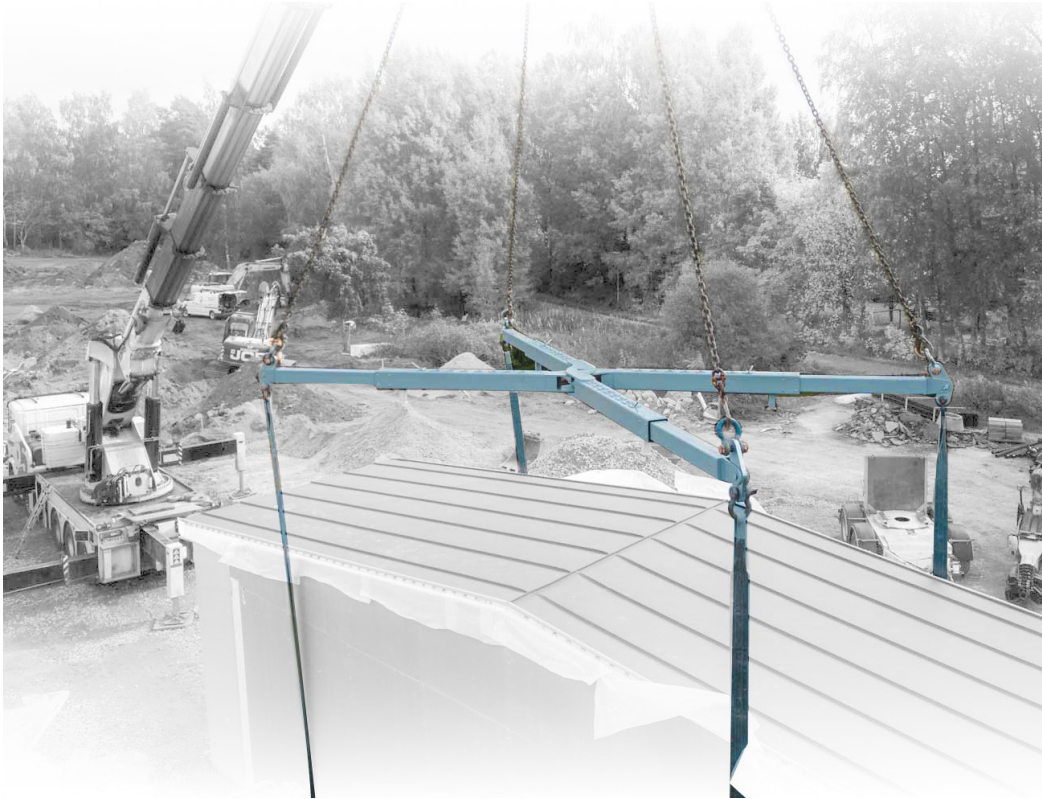


ALUEXBEAMS

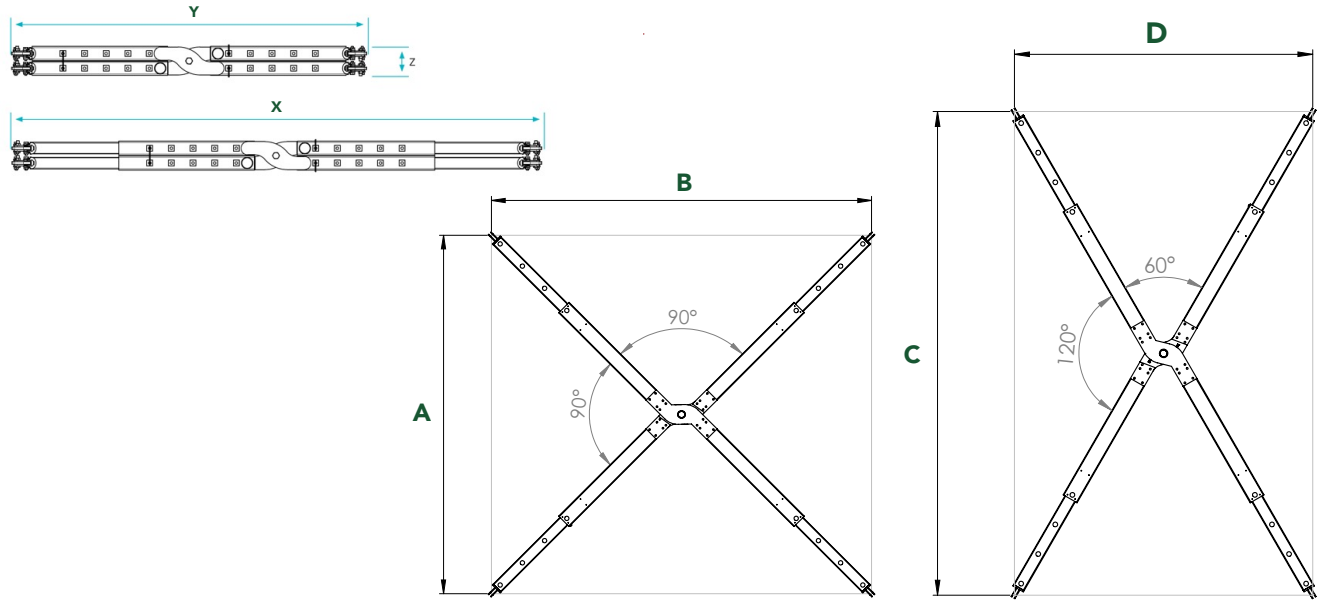


Aluexbeams are state of the art aluminum lifting beams with endless opportunities. They can be used to lift boats, construction equipment, and much more – both big and small objects. Aluexbeams are the most versatile, fast, and lightweight aluminum beams on the market.

- Developed By Users
- Time Efficient
- Lightweight & Manageable
- Safety is #1 Priority

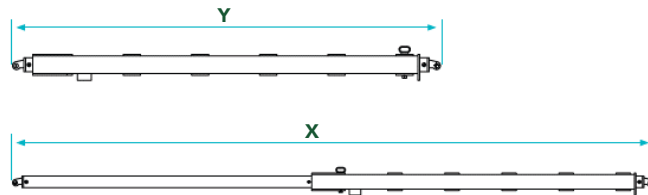
>> [greenfieldpi.com/products/aluexbeams](https://www.greenfieldpi.com/products/aluexbeams)

aluxbeams



SPECIFICATIONS

Model	Capacity	Weight	Y	X	A	B	C	D	Material
AL5	5 ton	77lbs	8.35'	12.8'	11'	6.64'	8.9'	9.25'	Aluminum
AL10	10 ton	100lbs	8.36'	12.8'	11'	6.64'	8.9'	9.25'	Aluminum
AL10+	10 ton	165lbs	8.3'	17.7'	15'	9'	12.15'	12.6'	Aluminum
AL15	15 ton	210lbs	8'	12.5'	8.5'	9'	10.54'	6.5'	Aluminum
AL20	20 ton	1430lbs	15.8'	22.6'	19'	11.7'	15.3'	16.2'	Steel
AL40	40 ton	2660 lbs	21.3'	31.7'	27.1'	16.5'	21.9'	22.9'	Steel
AL50	50 ton	2400 lbs	17.8'	26.6'	22.4'	13.7'	18.1'	19'	Steel



Model	Capacity	Weight	Y	X	Material
STR5	5 ton	60lbs	15.2'	8.3'	Aluminum
STR9	9 ton	100lbs	12.35'	8'	Aluminum